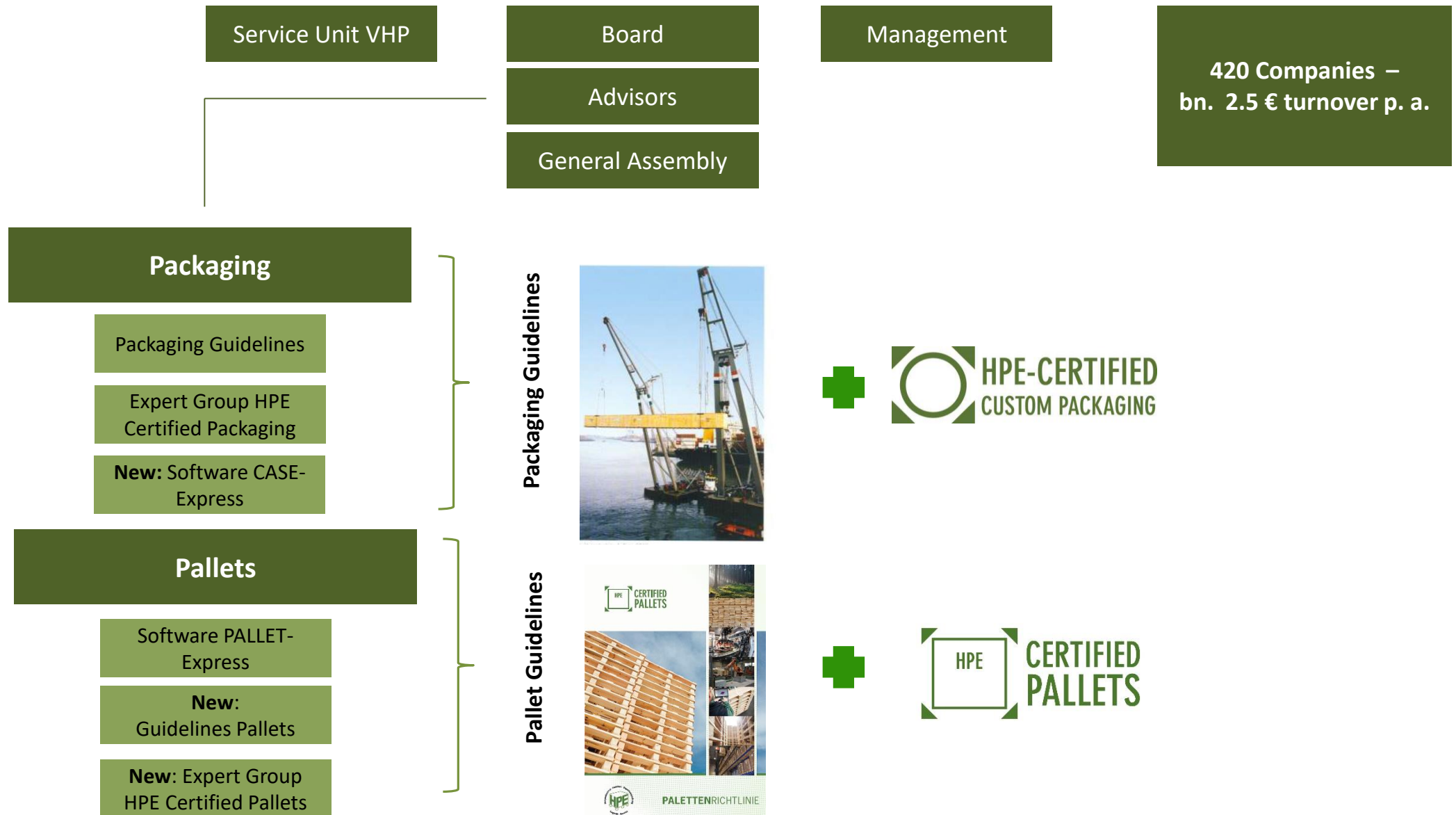


Quality First!



HPE – HOME OF WOODEN PACKAGING AND PALLETS IN GERMANY



Quality-label pallets

HPE CERTIFIED PALLETS

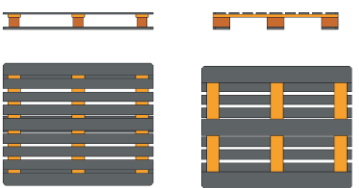
Hersteller/producer
Bundesverband HPE
Wachbleiche 26
53111 Bonn

Paletten-Nr./Pallet-ID.: **999 - 1234**

WICHTIGER HINWEIS
Angaben gelten nur für erstmalige Verwendung unbeschädigter Paletten

ALLGEMEINE DATEN	
Bezeichnung der Palette	Musterpalette
Klassifizierung	Palette vierseitig einfahrbar Hubwegentäglich (≥95mm Einfahrhöhe) 11200 x W1500 x H1184 mm Mehrwegpalette neu
Behandlung	HPE
Mittleres Gewicht bei der Auslieferung	22 kg

2D ANSICHT



www.hpe-pallets.com

Production of pallets according to HPE quality standard
Proofed static properties and datasheet



HPE – QUALITY-STANDARD FOR EXPORT PACKAGING WORLDWIDE

Packaging guidelines



2nd revised edition 2010

German Federal Association for
Wooden packaging ·
Pallets ·
Export packaging (HPE) e.V.

Bundesverband
Holzpackmittel ·
Paletten ·
Exportverpackung (HPE) e.V.

Expert Group Packaging
72 companies



Construction and analysis of packaging



Production of packaging material
(cases and crates)
+ Export packaging



Quality assurance 2:
External auditing of the
company by
independant experts



Quality assurance 1:
Development,
construction,
production and
packaging according
to HPE- guidelines

HPE – QUALITY PACKAGING – new software

CASE EXPRESS

- New branch software for construction and static calculation of (havy cargo) cases
- Essential supplement for HPE-Packaging guidelines
- Under supervision of steering committee + university



- ✓ Execution of contract with „itech“ (2016, May)
- Pre sale of software packages already
- Delivery mid 2018







Calculation software – What for?



Safety for

- Customer
- Export packer

Product

- dimension
- Weight
- Centre of gravity

Transport

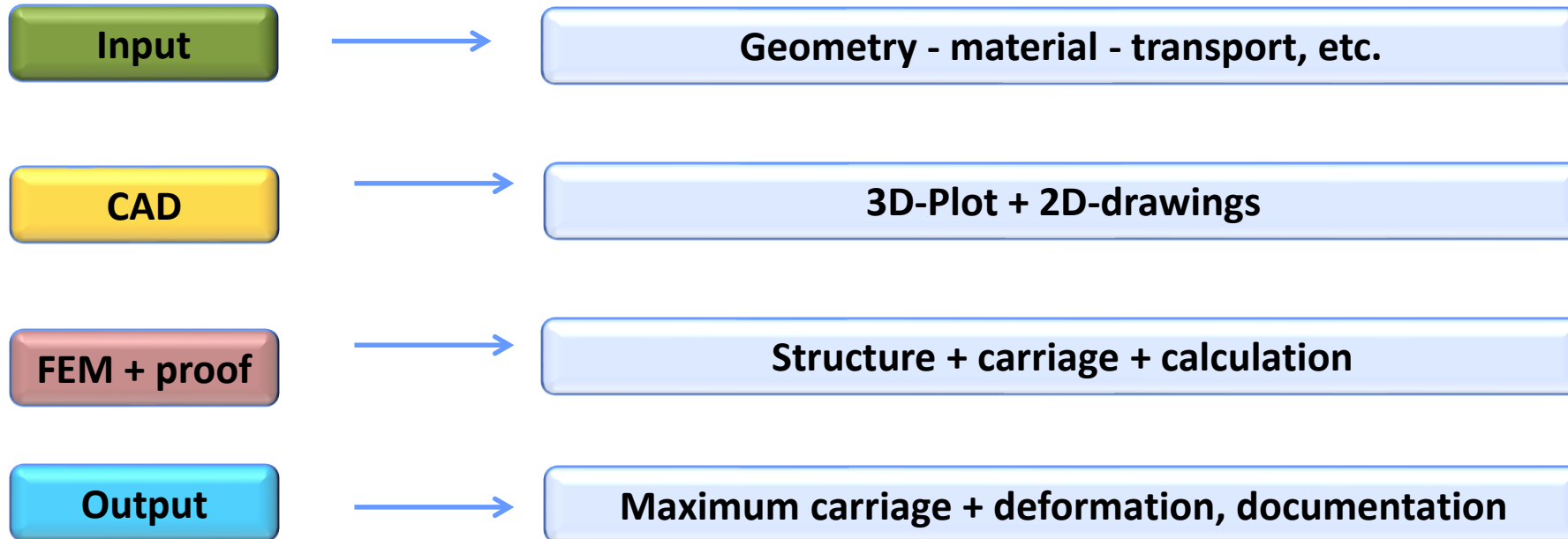
- Lorry
- Ship
- Aircraft

Handling

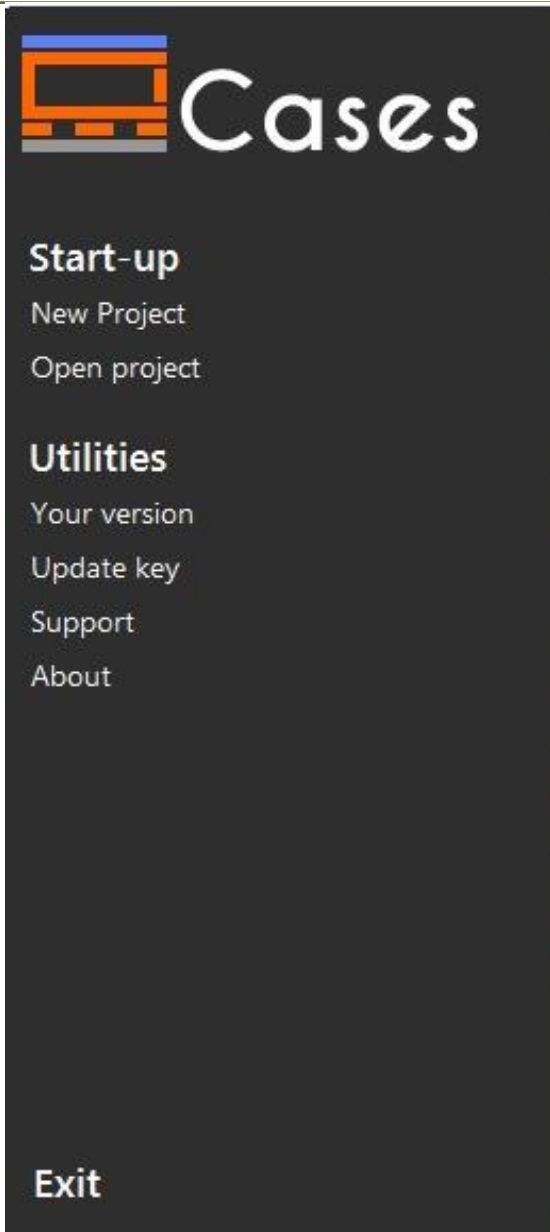
- Forklift
- Crane




packaging software CASE Express – structure



packaging software CASE Express – welcome





Start-up

- New Project
- Open project

Utilities

- Your version
- Update key
- Support
- About

Exit



packaging software CASE Express – general properties

Project properties

Project properties			
Customer contact details		Preparer's contact details	
Name	---	Name	itech
Address	---	Address	---
Zip code	---	Zip code	---
City	---	City	---
Country	---	Country	---
Phone	-----	Phone	-----
Fax	-----	Fax	-----
e-mail	--@--	e-mail	--@--
Quality control data			
Study performed by	---		
Creation date		Modification date	
Inspected by	---	Approved by	---
Comment			
Permitted deviations			
Class	Class A	Component length	
Thickness (L<=100mm)		Thickness (L>100mm)	
Width (L<=100mm)		Width (L>100mm)	
Stringers (cross-section)		Blocks (all dimensions)	

PROJECT GENERAL PROPERTIES

- WOOD PACKAGING
- PALLETS
- CASES

packaging software CASE Express – starting design

P&C 6 - [Untitled] - [Project general properties]

FILE

Project properties

Project properties			
Customer contact details		Preparer's contact details	
Name	---	Name	itech
Address	---	Address	---
Zip code	---	Zip code	---
City	---	City	---
Country	---	Country	---
Phone	-----	Phone	-----
Fax	-----	Fax	-----
e-mail	--@--	e-mail	--@--


Quality control data			
Study performed by	---		
Creation date		Modification date	
Inspected by	---	Approved by	---
Comment			


Permitted deviations			
Class	Class A	Component length	
Thickness (L<=100mm)		Thickness (L>100mm)	
Width (L<=100mm)		Width (L>100mm)	
Stringers (cross-section)		Blocks (all dimensions)	

PROJECT GENERAL PROPERTIES

WOOD PACKAGING

PALLETS

CASE 



APPLY

General dimensions cas A3

Lr [mm]	3000
Hr [mm]	1000
Br [mm]	2000

Back and front ends

ee : Boards thickness [mm]	20
ne : Number of boards [-]	6
eeb : Battens thickness [mm]	20
beb : Battens width [mm]	110
neb : Number of battens [-]	2

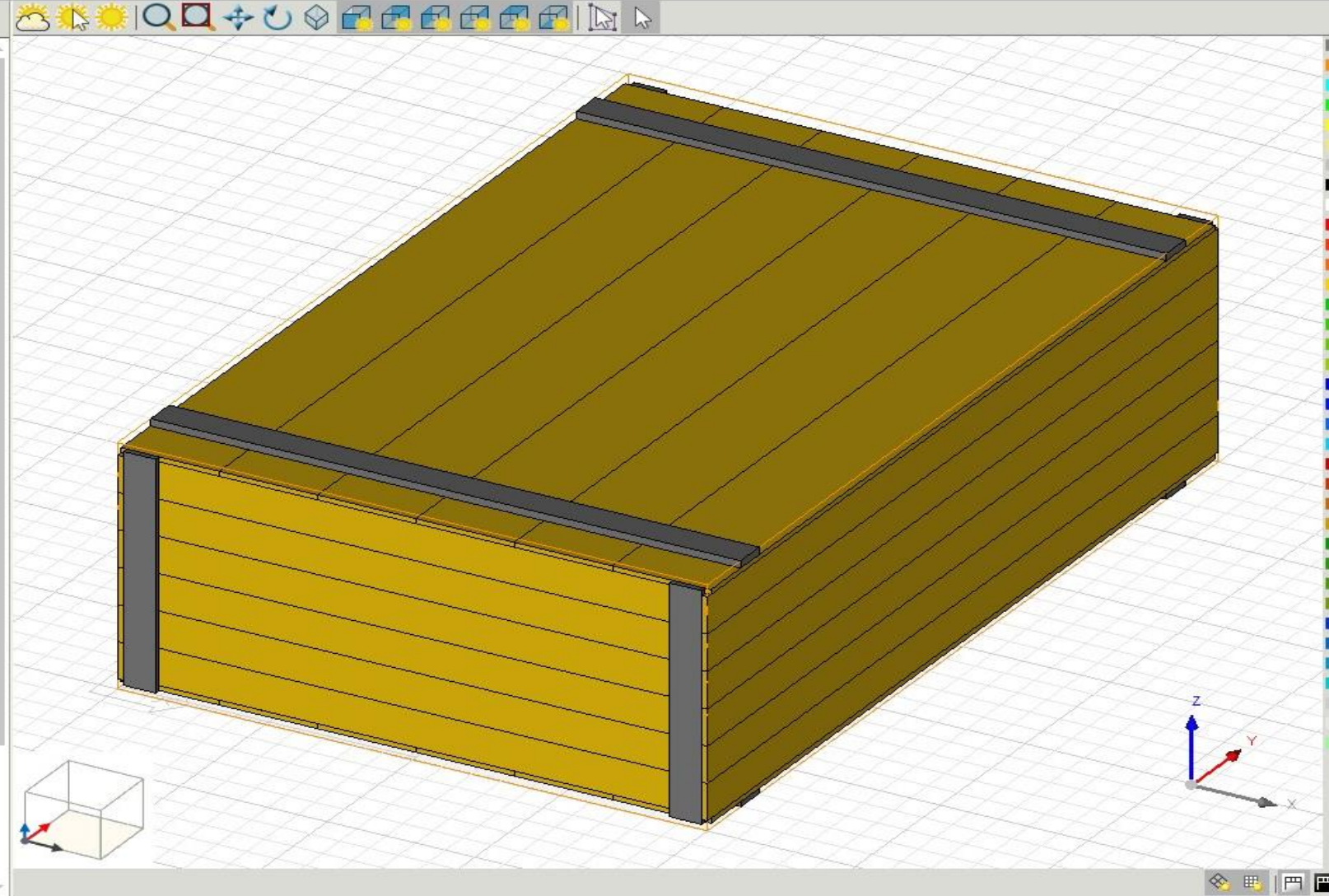
Left and right sides

es : Boards thickness [mm]	20
ns : Number of boards [-]	6

Lid

el : Boards thickness [mm]	20
nl : Number of boards [-]	6
sl : Battens position [mm]	175
blb : Battens width [mm]	110
elb : Battens thickness [mm]	30
nlb : Number of battens [-]	2

Bottom



- Bottom
 - Level_Battens
 - Level_Boards
- Lid
 - Level_Battens
 - Level_Boards
- Left Side
 - Level_Boards
- Right Side
 - Level_Boards
- FrontEnd
 - Level_Battens
 - Level_Boards
- BackEnd
 - Level_Battens
 - Level_Boards

APPLY

Properties

Level name	Level_Batten
Level Height [m]	0.02
Origin [m]	0

LEVELS PROJECT

packaging software CASE Express – free creation new elements

The screenshot displays the CASE Express software interface. The main window shows a 3D model of a pallet structure on a grid. The interface includes a menu bar (FILE, PREDEFINITION, CREATION, FASTENING, QUOTATIONS, ANALYSIS, REPORT), a toolbar with icons for Parameters, View type, Elements, Operations, and Tools, and a central 3D view area with a coordinate system (x, y, z).

On the left side, there is an 'APPLY' panel with the following sections:

- Species and classes:**
 - Specie: Softwood
 - Class: Spruce P2
- General properties:**
 - Stinger width [mm]: 100
 - Stringer type: (Three options shown)
 - Corner chamfers: (Four checkboxes for corners 1, 2, 3, and 4)
 - Position in level:
 - Thickness t equal to the height of the level

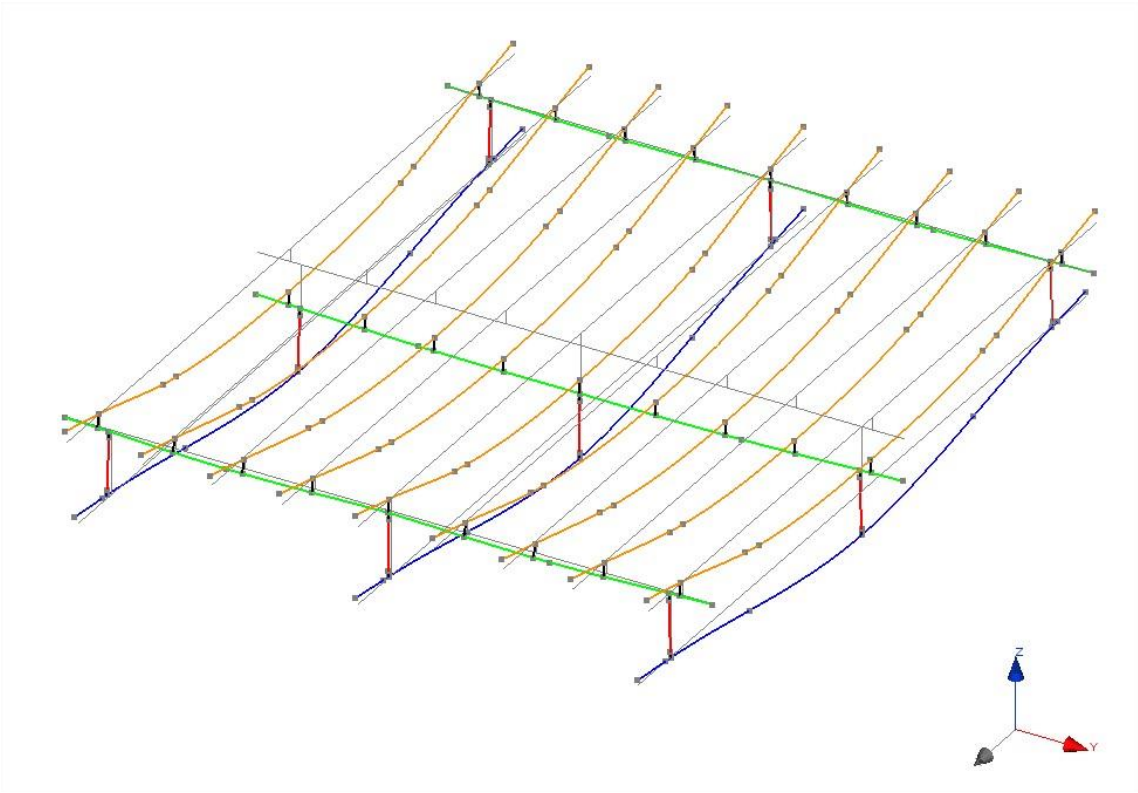
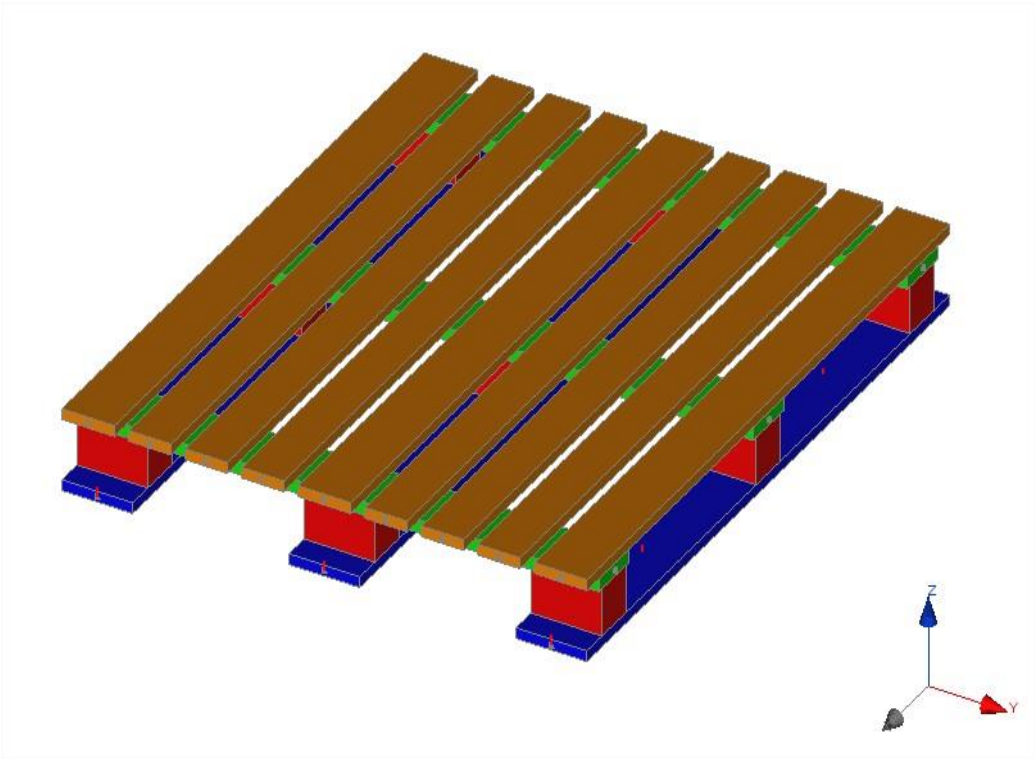
On the right side, there is a 'LEVELS' panel showing a hierarchical tree structure:

- Bottom
 - Level_Battens
 - Level_Boards
- Lid
 - Level_Battens
 - Level_Boards
- Left Side
 - Level_Boards
- Right Side
 - Level_Boards
- FrontEnd
 - Level_Battens
 - Level_Boards
- BackEnd
 - Level_Battens
 - Level_Boards

Below the tree is an 'APPLY' section with a 'Properties' table:

Properties	
Level name	Level_Batten
Level Height [m]	0.02
Origin [m]	0

At the bottom of the interface, there are icons for 'LEVELS' and 'PROJECT'.



Quality First!

